



Use case of RDMA in Symantec storage software stack



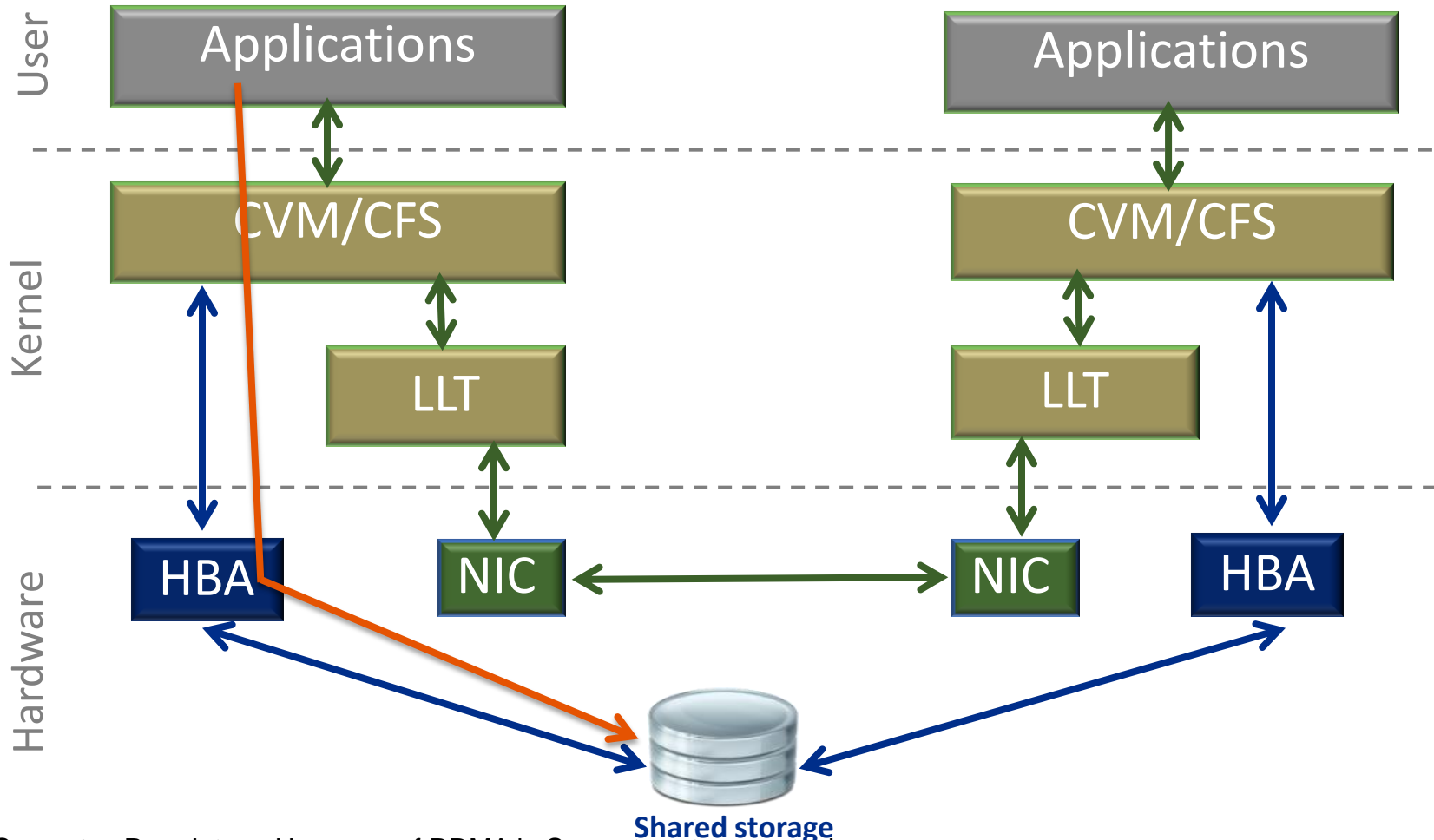
Om Prakash Agarwal
Symantec

Agenda



- About Symantec Storage Software Stack
- Need for the faster interconnects
- Write operation without and with RDMA
- Implementation details: Write operation with RDMA
- Perf comparison (without and with RDMA)

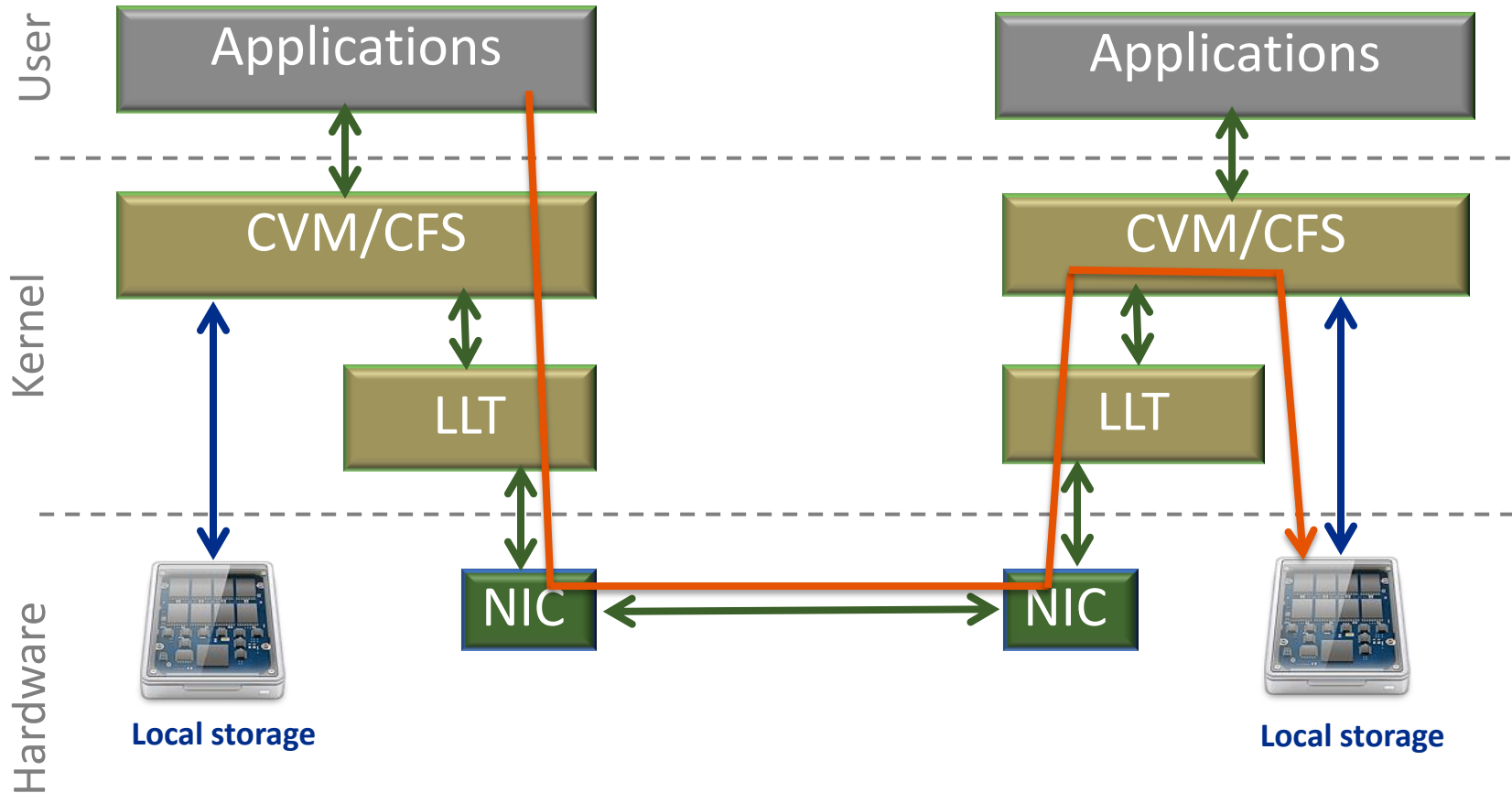
About Symantec Storage Software Stack



Shared storage

Symantec Proprietary: Use case of RDMA in Symantec storage stack

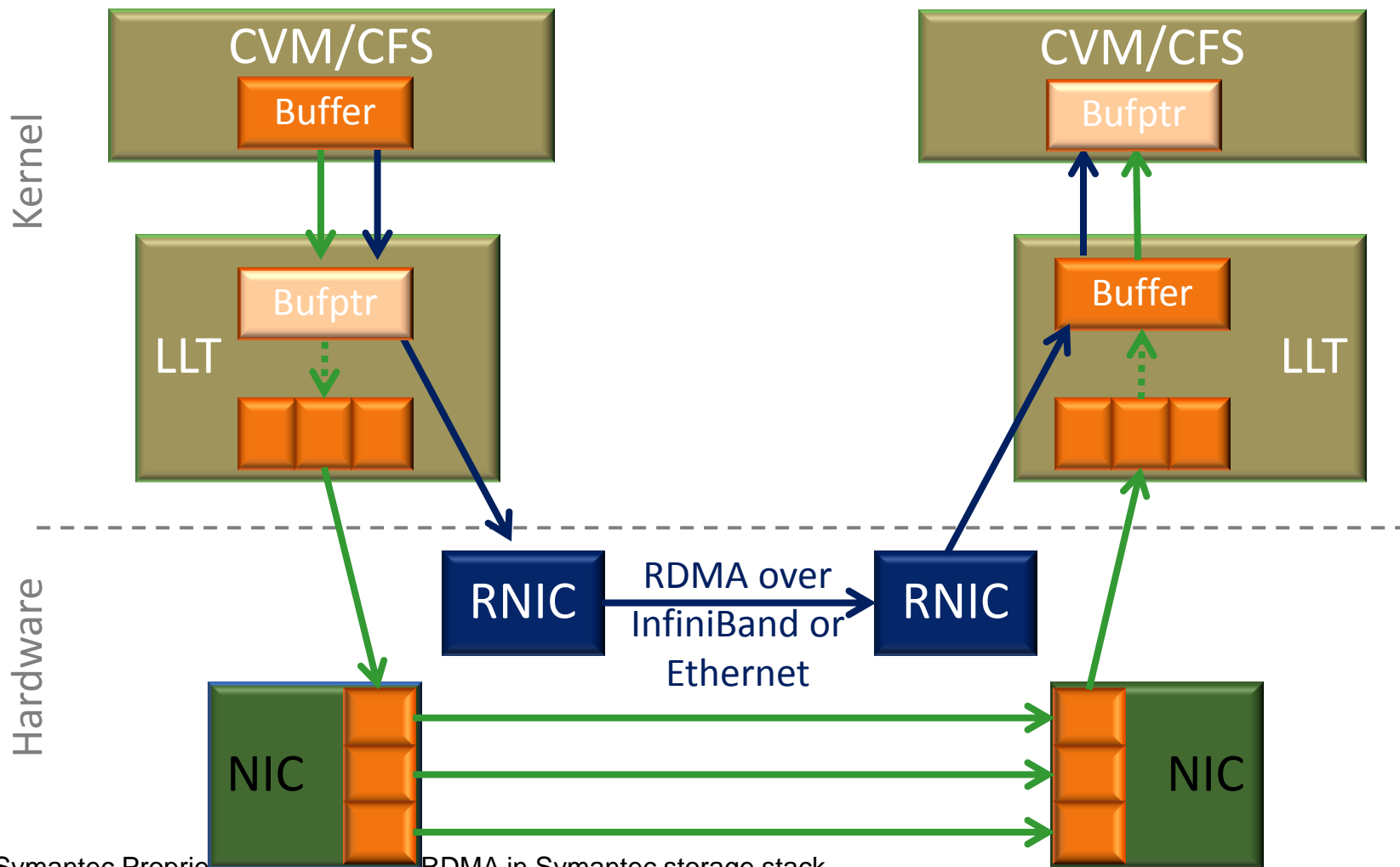
Need for the faster interconnects



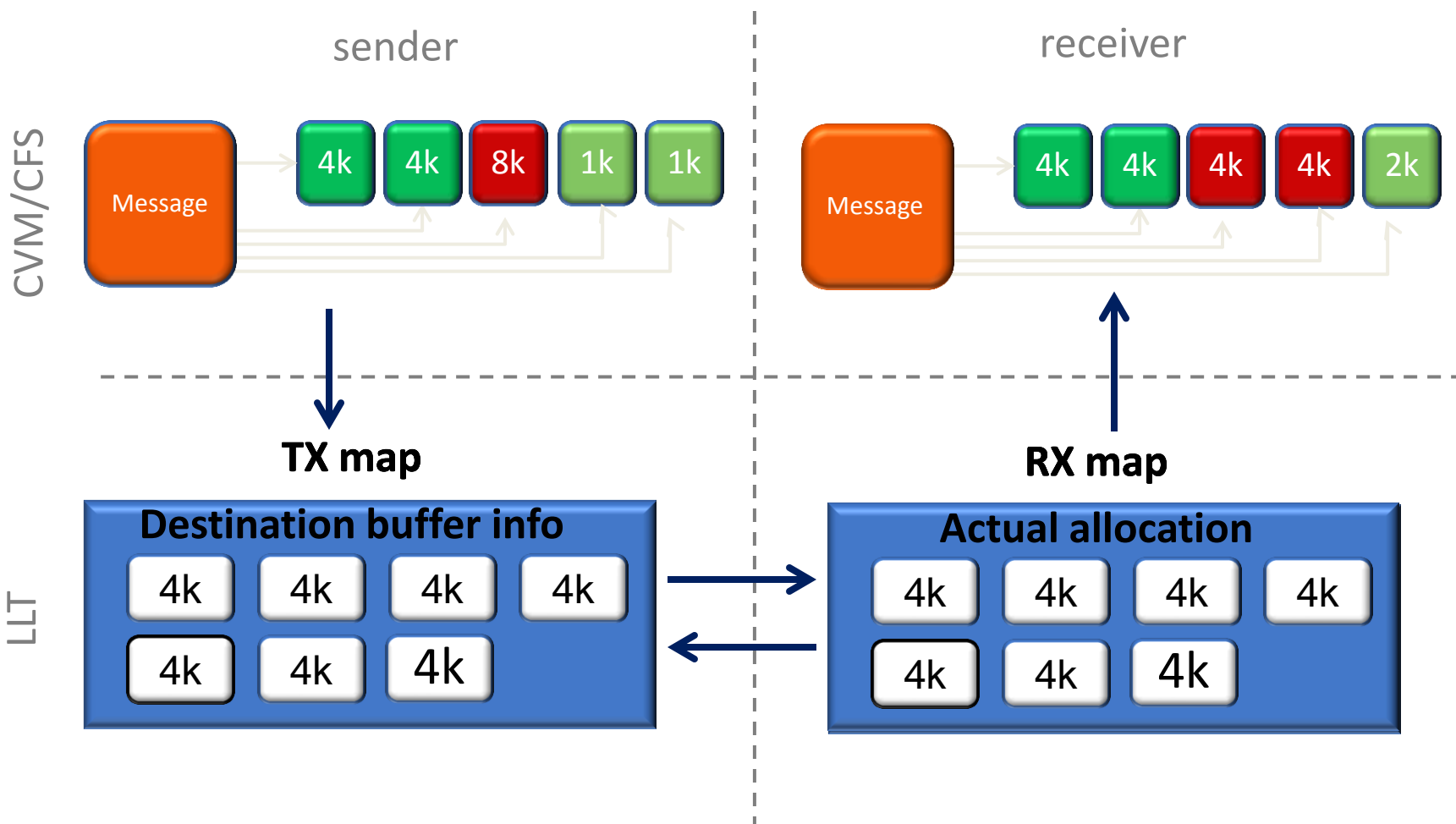
Shared Nothing Architecture

Symantec Proprietary: Use case of RDMA in Symantec storage stack

Write operation without and with RDMA



Write operation with RDMA



Perf comparison (without and with RDMA)

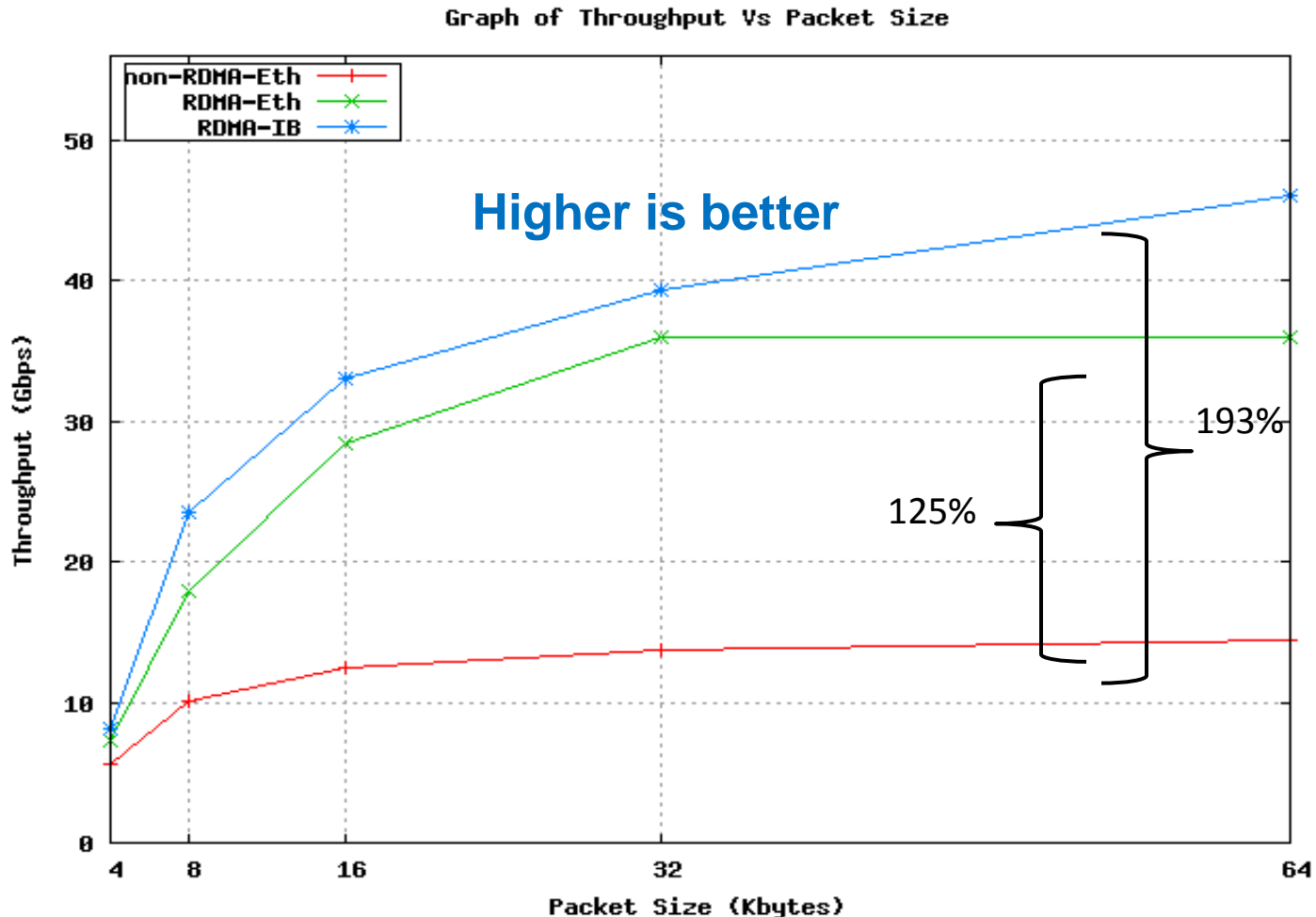


- 1) Throughput
- 2) Latency

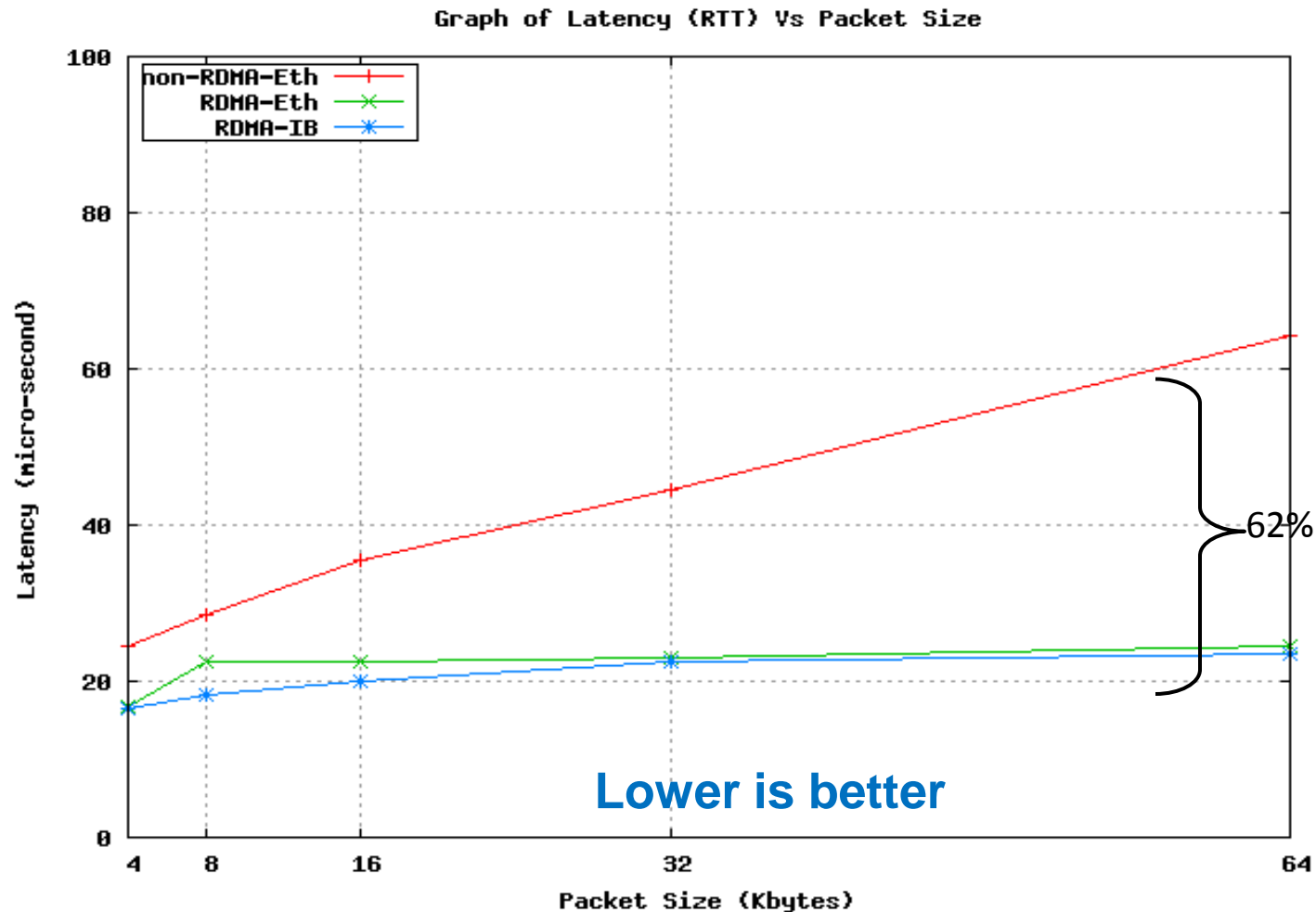
Setup configuration

- Two node Linux (RHEL6.3) cluster
- ConnectX3 VPI NIC card from Mellanox
 - ✓ IB -56 Gbps
 - ✓ RoCE-40 Gbps
 - ✓ Eth-40 Gbps
- 3.3GHz Processor

LLT perf comparison : Throughput



LLT perf comparison : Latency





Thank You



#OFADevWorkshop